



**PART NUMBER:** GC0401K

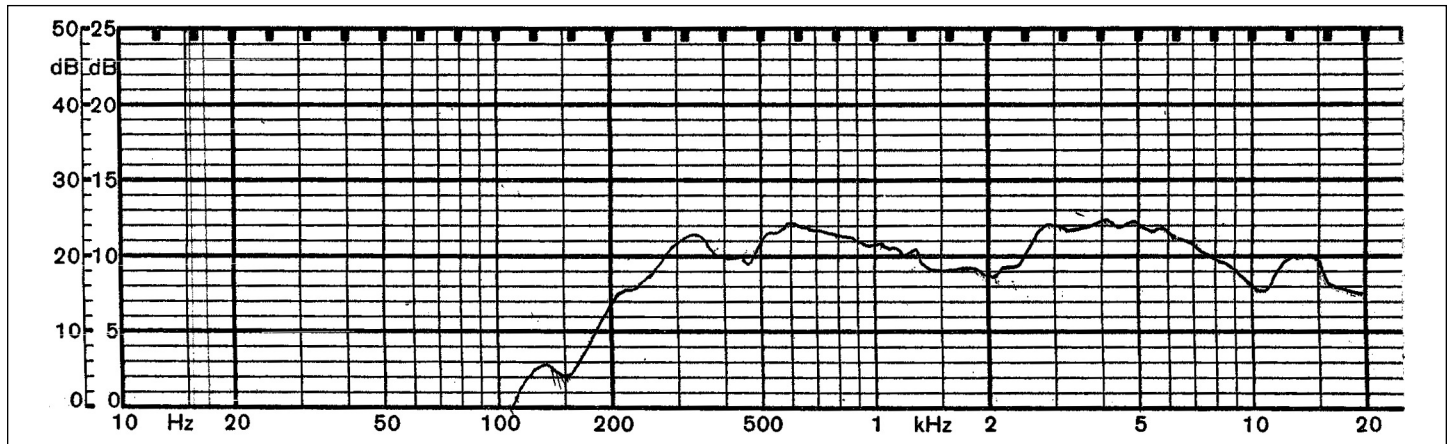
**DESCRIPTION:** speaker

**SPECIFICATIONS**

nominal size	28.5 x 40 mm		
impedance	8 Ohm $\pm$ 15%	at	1.5 kHz 1 V
resonant frequency	390 Hz $\pm$ 78 Hz	at	1 V
sound pressure level	82 dB/W $\pm$ 3 dB	1 W 50 cm ave. at 0.6 k, 0.8 k, 1 k, 1.2 k Hz	
response	Fo Hz ~ 20 kHz max 10 dB		
input power	nominal 1 W	handling capacity	2 W
operation	must be normal at program source 1 W		
buzz, rattle, etc.	must be normal at sine wave 2.83 V		
magnet	size: 12.5 x 1.8 mm		
load test	white noise 1 W	for	24 hours
heat test	65 $\pm$ 2° C	20~50% R.H.	24 hours
humidity test	40 $\pm$ 2° C	90~95% R.H.	24 hours

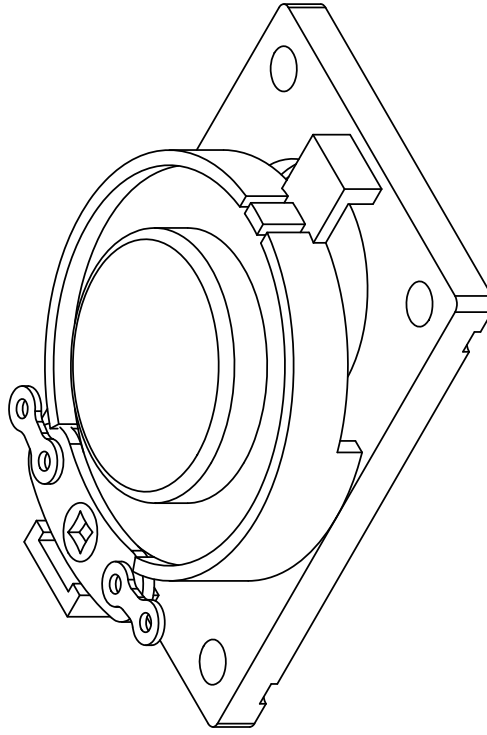
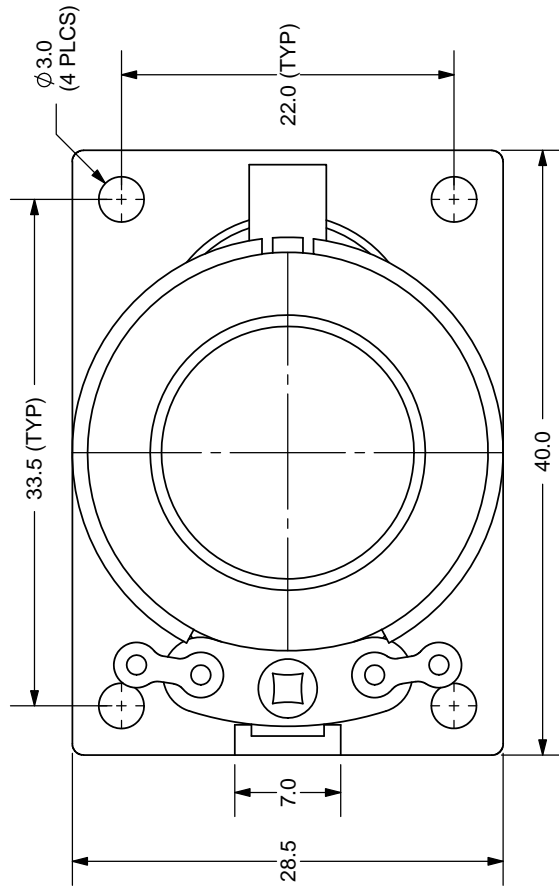
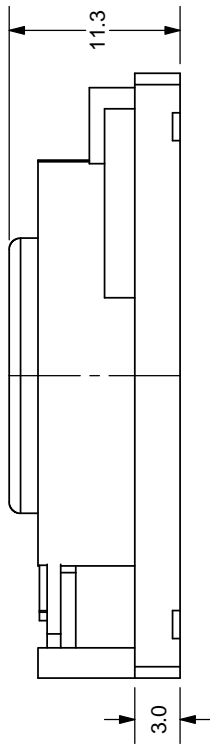
**FREQUENCY RESPONSE CURVE**

potentiometer range	50 dB
rectifier	RMS
lower limit frequency	20 Hz
wr. speed	100 mm/sec



zero level 60 dB

REV.	DESCRIPTION	DATE
A	NEW DRAWING	6/4/2007



TOLERANCE:  
#0.5mm UNLESS OTHERWISE  
SPECIFIED



**CUI INC**

20050 SW 112th Ave.  
Tualatin, OR 97062  
Phone: 503-612-2300  
800-275-4899  
Fax: 503-612-2383  
Website: www.cui.com

TITLE:	LOW PROFILE NOTEBOOK SPEAKER	REV:	A
PART NO:	GC0401K	UNITS:	MM [INCHES]
DRAWN BY:	ZRJ	APPROVED BY:	
		SCALE:	2:1